

## YAMUNA DENSONS Heavy Duty Tinned Copper Lugs (Crimping type)



### Dimensions of Heavy Duty Tinned Copper Lugs

Size mm <sup>2</sup>	(Ø)A ±0.3	(Ø)C ±0.3	J ±3	D ±1	E ±0.2	K ±1	H ±1	G ±1
2.5	2.4	4.0	18	10	4.2	2	6	5
4	3.1	4.8	20	10	4.2	2	6	5
6	3.8	5.5	23	10	4.2	3	9	6
10	4.5	6.2	25	12	6.4	3	9	6
16	5.4	7.1	36	12	6.4	4	9	7
25	6.8	8.8	40	13	6.4	4	11	10
35	8.2	10.6	48	15	6.4	5	11	10
50	9.5	12.4	59	18	6.4	6	13	11
70	11.2	14.7	61	21	12.8	7	13	12
95	13.5	17.4	68	25	12.8	9	13	13
120	15.0	19.4	73	28	12.8	10	14	14
150	16.5	21.2	86	30	13.0	11	17	17
185	18.5	23.5	89	34	16.2	12	17	17
240	21.0	26.5	104	38	16.2	14	21	21
300	23.5	30.0	115	43	16.2	15	23	23
400	26.8	34.8	136	50	17.0	18	26	26
500	30.0	39.0	148	56	21.0	20	28	28
630	35.0	45.0	172	65	21.0	22	33	33
800	39.0	50.6	209	73	-	17	40	35
1000	43.0	56.2	245	81	-	20	45	45

(all dimensions are in mm)

### Features :

- Conductivity 99.9% (IACS)
- Long barrel

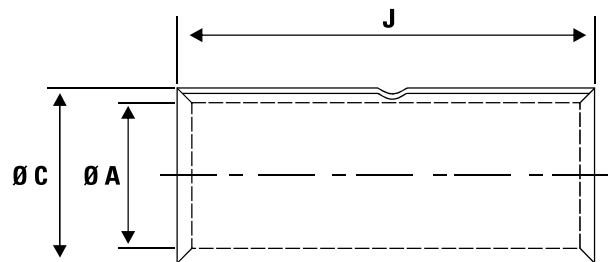
## YAMUNA DENSONS Heavy Duty Tinned Copper Ferrules (Crimping type)



### Dimensions of Heavy Duty Tinned Copper Ferrules

Size mm <sup>2</sup>	(Ø)A ±0.3	(Ø)C ±0.3	J ±3
2.5	2.4	4.0	18
4	3.1	4.8	20
6	3.8	5.5	20
10	4.5	6.2	30
16	5.4	7.1	40
25	6.8	8.8	48
35	8.2	10.6	54
50	9.5	12.4	60
70	11.2	14.7	60
95	13.5	17.4	68
120	15.0	19.4	70
150	16.5	21.2	76
185	18.5	23.5	85
240	21.0	26.5	100
300	23.5	30.0	118
400	26.8	34.8	120
500	30.0	39.0	125
630	35.0	45.0	144
800	39.0	50.6	170
1000	43.0	56.2	200

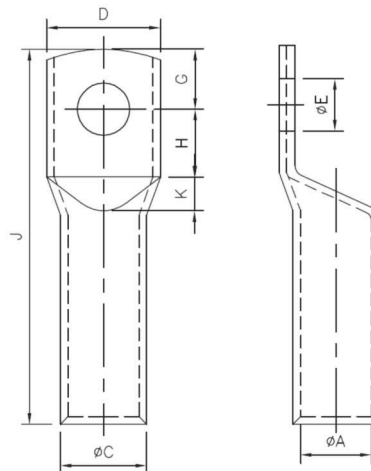
(all dimensions are in mm)



### Features :

- Conductivity 99.9% (IACS)
- Long barrel

## YAMUNA DENSONS Aluminium Lugs For XLPE Cable (Crimping type)



### Dimensions of Aluminium Lugs (Crimping Type) For XLPE Cable

Size mm <sup>2</sup>	(Ø)A ±0.3	(Ø)C ±0.3	J ±3	D ±1	E ±0.2	K ±1	H ±1	G ±1	F ±0.5	B ±2
25	7.2	9.6	69	14.0	8.2	7	12	9	2.4	41
35	8.3	11.1	79	16.0	8.2	7	11	11	2.8	50
50	10.1	13.5	81	19.5	10.2	8	13	11	3.4	49
70	10.2	14.5	96	20.5	10.2	8	13	13	4.3	62
95	12.0	16.9	109	23.5	12.7	8	14	14	4.9	73
120	13.7	19.0	114	26.5	12.7	11	15	15	5.3	73
150	15.1	21.1	128	29.5	12.7	11	17	17	6.1	83
185	16.6	23.9	131	33.0	12.7	12	18	18	7.3	83
225	18.6	26.1	140	36.0	12.7	14	20	20	7.5	86
240	19.3	27.2	144	37.5	12.7	14	22	22	7.9	86
300	21.8	30.2	157	42.0	20.3	14	27	27	8.4	89
400	25.0	34.8	187	48.0	20.3	13	30	30	9.8	113
500	28.2	39.1	205	54.0	20.3	15	32	32	10.9	125
630	31.7	44.4	225	61.0	20.3	16	34	34	12.7	140
800	35.7	49.5	250	68.0	20.3	25	39	39	13.8	147
1000	41.0	56.0	280	77.5	20.3	30	45	45	15.0	160

(all dimensions are in mm)

### Features :

- Electrolytic grade
- Conductivity 61% (IACS)
- Long barrel

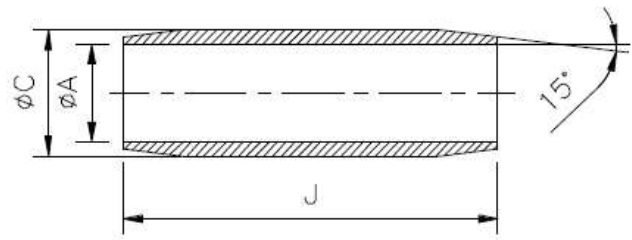
## YAMUNA DENSONS Aluminium Ferrules / Inline Connectors for XLPE Cable (Crimping type)



### Dimensions of Aluminium Ferrules / Inline Connectors for XLPE Cables

Size mm <sup>2</sup>	( $\phi$ )A $\pm 0.3$	( $\phi$ )C $\pm 0.3$	J $\pm 3$
25	7.2	9.6	82
35	8.3	11.1	90
50	10.1	13.5	100
70	10.2	14.5	104
95	12.0	16.9	108
120	13.7	19.0	112
150	15.1	21.2	116
185	16.6	23.9	128
225	18.6	26.1	136
240	19.3	27.2	148
300	21.8	30.2	160
400	25.0	34.8	182
500	28.2	39.1	190
630	31.7	44.4	200
800	35.7	49.5	225
1000	41.0	56.0	250

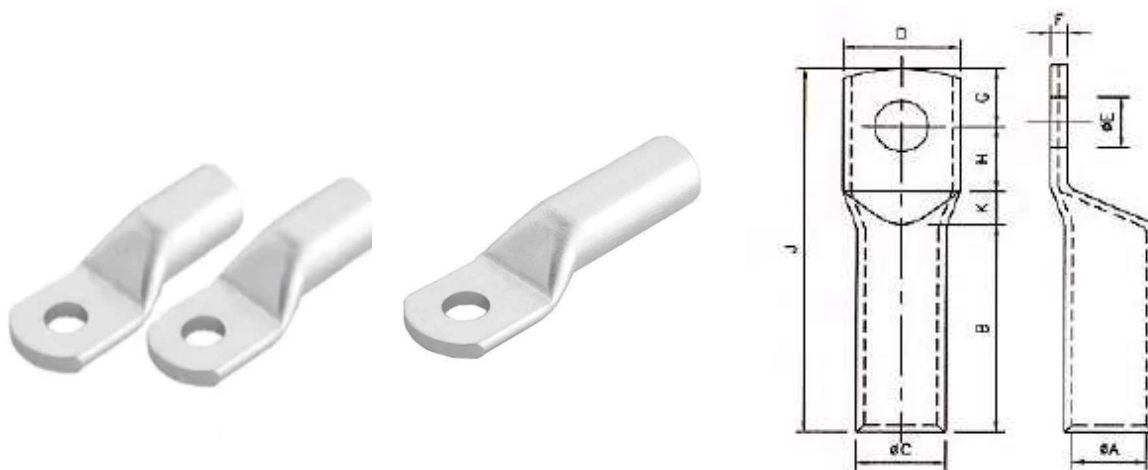
(all dimensions are in mm)



### Features :

- Electrolytic grade
- Conductivity 61% (IACS)

## YAMUNA DENSONS Aluminium Lugs For PVC/PILC Cable (Crimping type)



### Dimensions of Aluminium Lugs (Crimping Type) For PVC/PILC Cable

Size mm <sup>2</sup>	(Ø)A +0.3 / -2	(Ø)C +0.3 / -2	J ±3	D ±1	E ±0.2	K ±1	G + H ±1	F ±0.5	B ±2
2.5	2.6	5.5	21.5	7.0	3.7	3	8	2.9	10.5
4	2.9	5.5	21.5	7.0	4.2	3	8	2.6	10.5
6	3.5	5.5	27.5	8.0	5.2	4	13	2.0	10.5
10	4.4	7.4	34.5	10.0	6.4	4	17	2.8	13.5
16	5.4	8.3	43.5	11.0	6.4	4	20	2.9	19.5
25	7.0	10.0	52.0	14.0	8.2	7	21	3.0	24.0
35	8.0	10.8	56.0	15.0	8.2	7	22	2.8	27.0
50	9.3	13.0	65.0	18.0	8.2	8	24	3.7	33.0
70	11.6	16.0	73.0	22.0	10.2	8	26	4.4	39.0
95	12.9	17.1	78.0	25.0	12.7	8	28	4.2	42.0
120	14.8	19.6	89.0	28.0	12.7	11	30	4.8	48.0
150	16.5	21.5	96.0	31.0	12.7	11	34	5.1	51.0
185	18.5	24.0	102.0	34.0	12.7	12	36	5.7	54.0
225	20.6	27.0	114.0	39.0	12.7	14	40	6.4	60.0
240	22.0	28.6	124.0	40.0	16.2	14	44	6.0	66.0
300	25.0	32.0	138.5	46.0	20.3	14	54	7.0	70.5
400	29.0	37.5	158.0	54.0	20.3	13	61	8.5	84.0
500	30.0	41.0	170.0	58.0	20.3	15	65	11.0	90.0
630	35.0	46.0	188.5	66.0	20.3	16	69	11.0	103.5
800	39.0	51.0	218.5	74.0	-	25	78	12.0	115.5
1000	43.5	57.0	270.0	81.0	-	30	90	13.5	150.0
1250	46.6	62.0	270.0	-	-	30	90	15.4	150.0

(all dimensions are in mm)

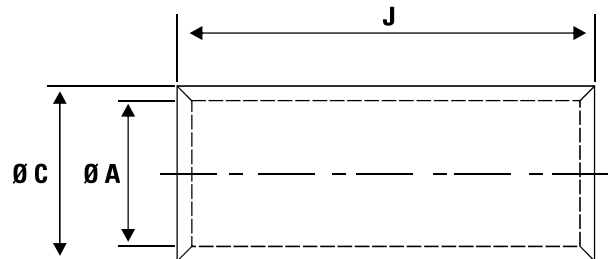
## YAMUNA DENSONS Aluminium Ferrules / Inline Connectors for PVC/PILC Cable (Crimping type)



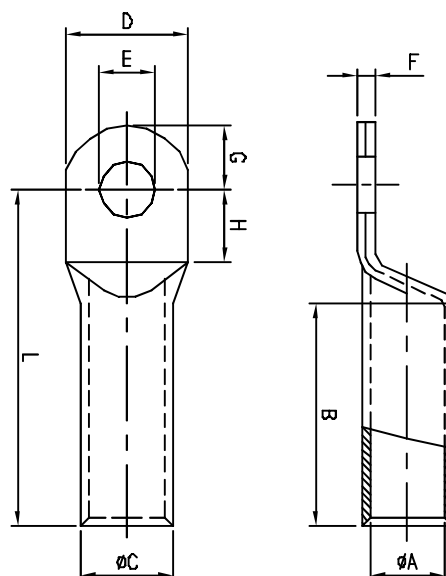
### Dimensions of Aluminium Ferrules / Inline Connectors for PVC/PILC Cables

Size mm <sup>2</sup>	( $\emptyset$ )A +0.4 -0	( $\emptyset$ )A +0.4 -0	J +3 -0
2.5	2.6	5.5	16
4	2.9	5.5	16
6	3.5	5.5	16
10	4.4	7.4	20
16	5.4	8.3	26
25	7.0	10.0	35
35	8.0	10.8	40
50	9.3	13.0	45
70	11.6	16.0	55
95	12.9	17.1	60
120	14.8	19.6	65
150	16.5	21.5	70
185	18.5	24.0	75
225	20.6	27.0	85
240	22.0	28.6	90
300	25.0	32.0	100
400	29.0	37.5	115
500	30.0	41.0	125
630	35.0	46.0	140
800	39.0	51.0	160
1000	43.5	57.0	210
1250	46.6	62.0	210

(all dimensions are in mm)



## YAMUNA DENSONS Tinned Copper Lugs DIN Type (Crimping type)

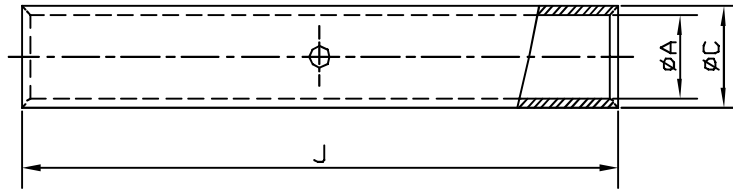


### Dimensions of Copper Lugs DIN Type

Size mm <sup>2</sup>	ØA	ØC	ØE	B mm	D ±0.1	F ±0.5	G +0 -3	H min.	L +2 -0
6	3.8 ±0.3	5.5	6.4	10	8.5	1.5	9	6	24
10	4.5 ±0.3	6	6.4	10	9	1.5	9	6	27
16	5.5 ±0.3	8.5	8.4/10	20	13	2.5	13	10	36
25	7 ±0.3	10	10.5	20	14	3	15	12	38
35	8.2 ±0.3	12.5	10.5/13	20	17	2.5	15	12	42
50	10 ±0.3	14.5	13	28	20	4	16	13	52
70	11.5 ±0.3	16.5	13	28	24	4.5	16	13	55
95	13.5 ±0.3	19	13	35	28	5	16	13	65
120	15.5 ±0.3	21	17	35	32	5.5	19	16	70
150	17 ±0.3	23.5	17	35	34	6	19	16	78
185	19 ±0.4	25.5	17/13	40	37	6	19	16	82
240	21.5 ±0.4	29	17/13	40	42	6.5	19	16	92
300	24.5 ±0.4	32	17/13	50	48	7	19	16	100
400	27.5 ±0.4	38.6	17/13	70	55	10	25	16	115
500	31 ±0.5	42	21/17	70	60	10	25	20	125
625	34.5 ±0.5	44	21	80	60	10	25	20	135
800	40 ±0.5	52	21	100	75	12	25	20	165
1000	44 ±0.5	58	21	100	85	14	25	20	165

(all dimensions are in mm)

## YAMUNA DENSONS Tinned Copper Ferrules DIN Type (Crimping type)



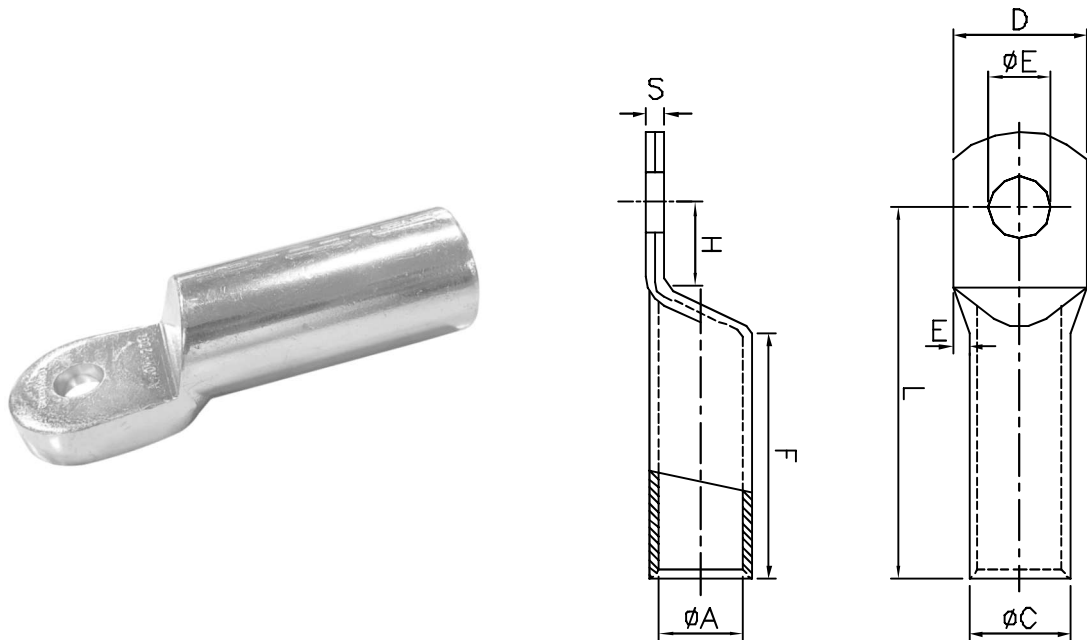
### Dimensions of Copper Ferrules DIN Type

Size mm <sup>2</sup>	(Ø)A	(Ø)C	J ±3
6	3.8 ±0.3	5.5	30
10	4.5 ±0.3	6	30
16	5.5 ±0.3	8.5	50
25	7 ±0.3	10	50
35	8.2 ±0.3	12.5	50
50	10 ±0.3	14.5	56
70	11.5 ±0.3	16.5	56
95	13.5 ±0.3	19	70
120	15.5 ±0.3	21	70
150	17 ±0.3	23.5	80
185	19 ±0.4	25.5	85
240	21.5 ±0.4	29	90
300	24.5 ±0.4	32	100
400	27.5 ±0.4	38.5	150
500	31 ±0.5	42	160
625	34.5 ±0.5	44	160
800	40 ±0.5	52	200
1000	44 ±0.5	58	200

(all dimensions are in mm)



## YAMUNA DENSONS Tinned Aluminium Lugs DIN Type (Crimping type)

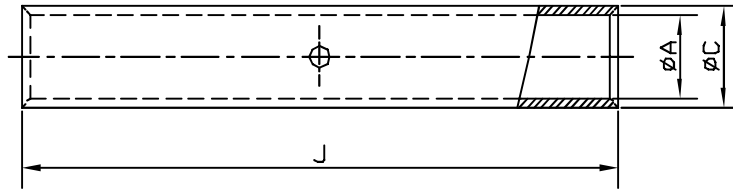


### Dimensions of Tinned Aluminium Lugs DIN Type

Size mm <sup>2</sup>	ØA	ØC	ØE	D ±1	L +2 -0	S +0.5 -0	E ±1	H min.	F min.
25	6.8 ±0.3	12	10.5	25	50	4	2	15.5	30
35	8 ±0.3	14	10.5	25	62	4	2	15.5	42
50	9.8 ±0.3	16	10.5	25	62	5.5	2	15.5	42
70	11.2 ±0.3	18.5	13	25	72	5.5	2	15.5	52
95	13.2 ±0.3	22	13	25	75	6	2	15.5	56
120	14.7 ±0.3	23	13	30	80	7.5	2	20	56
150	16.3 ±0.3	25	13	30	90	8	2.5	20	60
185	18.3 ±0.4	28.5	13	30	91	8	2.5	20	60
240	21 ±0.4	32	13	38	103	11	2.5	24	70
300	23.3 ±0.4	34	13/17	38	103	13	2.5	24	70
400	26 ±0.4	38.5	17/13	38	116	14	4	24	73
500	29 ±0.5	44	21/17	44	122	15	5	24	79

(all dimensions are in mm)

## YAMUNA DENSONS Tinned Aluminium Ferrules DIN Type (Crimping type)

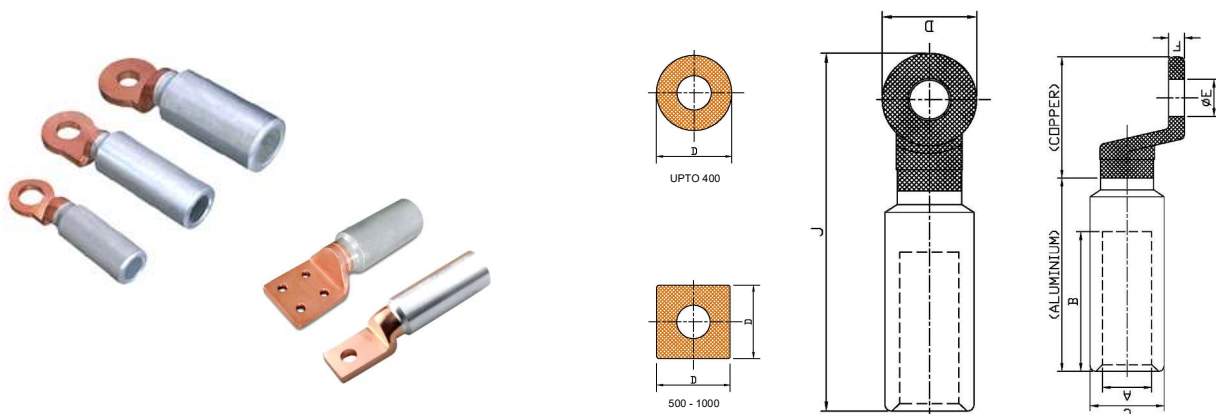


### Dimensions of Aluminium Ferrules DIN Type

Size mm <sup>2</sup>	(Ø)A	(Ø)C	J ±3
25	6.8 ±0.3	12	70
35	8 ±0.3	14	85
50	9.8 ±0.3	16	85
70	11.2 ±0.3	18.5	105
95	13.2 ±0.3	22	105
120	14.7 ±0.3	23	105
150	16.3 ±0.3	25	125
185	18.3 ±0.4	28.5	125
240	21 ±0.4	32	145
300	23.3 ±0.4	34	145
400	26 ±0.4	38.5	210
500	29 ±0.5	44	210
630	34 ±0.5	50	240

(all dimensions are in mm)

## YAMUNA DENSONS Bi-Metallic Lugs (Crimping type)

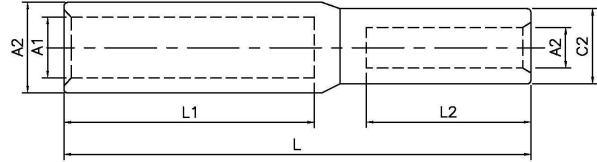


### Dimensions For Bi-Metallic Lugs

Size mm <sup>2</sup>	(Ø)A ±0.3	(Ø)C ±0.3	D ±3	B ±1	E ±0.2	J ±1	F ±1	Item Code
16	6	12	21	43	8.5	85	4	DBL 16/8
					10.5			DBL 16/10
25	6.8	16	21	43	8.5	85	4	DBL 25/8
					10.5			DBL 25/10
					13			DBL 25/12
35	8	16	21	43	8.5	85	4	DBL 35/8
					10.5			DBL 35/10
					13			DBL 35/12
50	9.8	20	25	43	8.5	90	5	DBL 50/8
					10.5			DBL 50/10
					13			DBL 50/12
70	11.2	20	25	43	10.5	90	5	DBL 70/10
					13			DBL 70/12
					17			DBL 70/16
95	13.2	22	25	56	10.5	100	5	DBL 95/10
					13			DBL 95/12
					17			DBL 95/16
120	14.7	22	25	56	13	100	5	DBL 120/12
					17			DBL 120/16
					21			DBL 120/20
150	16.3	25	30	60	13	115	6.0	DBL 150/12
					17			DBL 150/16
					21			DBL 150/20
185	18.3	30	30	60	10.5	115	6.0	DBL 185/10
					13			DBL 185/12
					17			DBL 185/16
240	21	32	35	70	13	130	7.0	DBL 240/12
					17			DBL 240/16
					21			DBL 240/20
300	23.3	34	35	73	13	146	7.0	DBL 300/12
					17			DBL 300/16
					21			DBL 300/20
400	26	38.5	35	73	17	146	7.0	DBL 400/16
500	29.1	47	60 x 60	94	17	200	10	DBL 500/16
630	32.5	47	60 x 60	94	17	200	10	DBL 630/16
800	37.5	58	80 x 80	120	-	260	10	DBL 800/BL
1000	42	58	80 x 80	120	-	260	10	DBL 1000/BL

(all dimensions are in mm)

## YAMUNA DENSONS Bi-Metallic Ferrule (Crimping type)

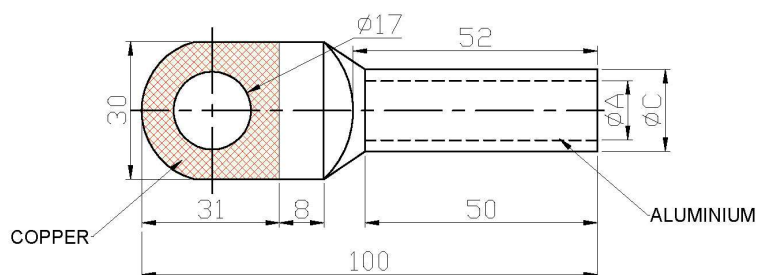


### Dimensions For Bi-Metallic Ferrule

Al. Cable Size mm <sup>2</sup>	Cu. Cable Size mm <sup>2</sup>	A1	C1	A2	C2	L1	L2	L	Item Code
16	10	6	12	4.5	6.2	32	15	60	DBC 16/10
25	10	7	12	4.5	6.2	35	15	65	DBC 25/10
	16	7	12	6	8.5	35	18	65	DBC 25/16
35	16	8	14	6	8.5	40	18	70	DBC 35/16
	25	8	14	7	10	40	20	70	DBC 35/25
50	25	9	15	7	10	45	20	75	DBC 50/25
	35	9	15	8.2	12.5	45	20	75	DBC 50/35
70	35	11.2	20	8.2	12.5	45	20	78	DBC 70/35
	50	11.2	20	10	14.5	45	21	80	DBC 70/50
95	50	13.2	22	10	14.5	47	21	82	DBC 95/50
	70	13.2	22	11.5	15	47	23	85	DBC 95/70
120	50	14.7	23	10	14.5	47	21	82	DBC 120/50
	70	14.7	23	11.5	15	47	23	85	DBC 120/70
	95	14.7	23	14	17.4	47	27	90	DBC 120/95
150	70	16.3	25	11.5	15	50	23	90	DBC 150/70
	95	16.3	25	14	17.4	50	27	92	DBC 150/95
	120	16.3	25	15.0	19.4	50	28	92	DBC 150/120
185	95	18.3	30	14	17.4	55	27	98	DBC 185/95
	120	18.3	30	15.0	19.4	55	28	98	DBC 185/120
	150	18.3	30	16.5	21.2	55	30	100	DBC 185/150
240	120	21	32	15	19.4	60	28	105	DBC 240/120
	150	21	32	16.5	21.2	60	30	108	DBC 240/150
	185	21	32	18.5	23.5	60	35	113	DBC 240/185
300	150	23.3	34	16.5	21.2	60	30	108	DBC 300/150
	185	23.3	34	18.5	23.5	60	35	113	DBC 300/185
	240	23.3	34	21.5	27.5	60	40	115	DBC 300/240
400	240	26	38.5	21.5	27.5	62	40	123	DBC 400/240
	300	26	38.5	24	30.5	62	45	129	DBC 400/300
500	300	30	45	24	30.5	65	45	130	DBC 500/300
	400	30	45	27.5	38.5	65	50	132	DBC 500/400
630	500	35	50	31	42	70	55	142	DBC 630/500

(all dimensions are in mm)

## YAMUNA DENSONS Bi-Metallic Lug with Copper Center Palm (Crimping type)



### Dimensions For Bi-Metallic Lug with Copper Center Palm

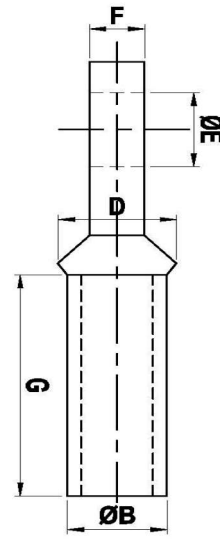
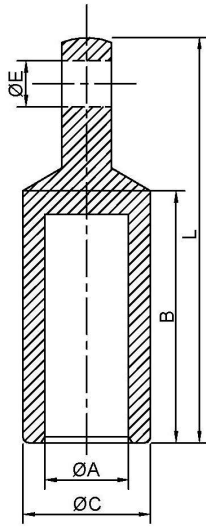
Cable Size mm <sup>2</sup>	Stud Hole Dia E	A	C	B	L	Item Code
35	17	8	14	50	100	DBCP35
50	17	10	16	50	100	DBCP50
70	17	12	18	50	100	DBCP70
95	17	13	21	50	100	DBCP95
120	17	15	23	50	100	DBCP120
150	17	16	25	50	100	DBCP150
185	17	18	28	50	100	DBCP185
240	17	20	31	50	100	DBCP240
300	17	22	35	50	100	DBCP300
400	17	25	39	50	100	DBCP400

(all dimensions are in mm)

## YAMUNA DENSONS Crimping type Center Palm Lug



**Aluminium Center Palm**



**Copper Center Palm**

### Dimensions For Aluminium Center Palm

Cable Size mm <sup>2</sup>	Stud Hole Dia E	A	C	B	F	L	Item Code
500	M16	29	44	87	17	140	DACP500

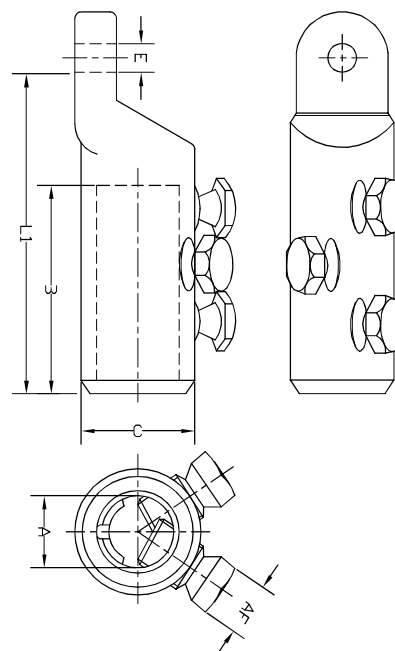
(all dimensions are in mm)

### Dimensions For Copper Center Palm

Cable Size mm <sup>2</sup>	Stud Hole Dia E	A	B	G	F	L	Item Code
35	17	9	13	51	10	99	DCCP35
50	17	9.5	14	51	10	100	DCCP50
70	17	12	16	51	10	100	DCCP70
95	17	13	18	51	10	100	DCCP95
120	17	15	20	51	10	100	DCCP120
150	17	16	22	51	10	100	DCCP150

(all dimensions are in mm)

## YAMUNA DENSONS Shear Head Type Mechanical Lugs



### Dimensions of Shear Head Type Connectors

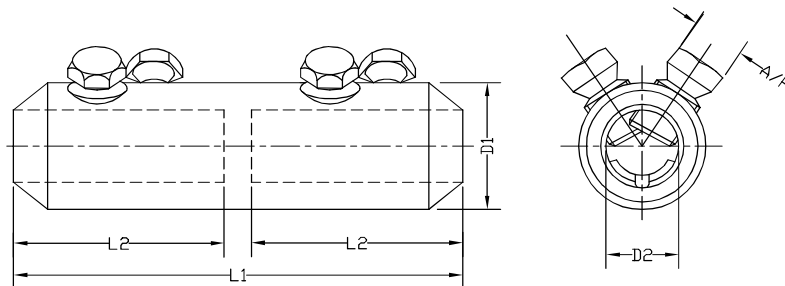
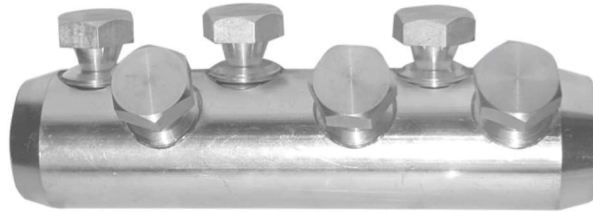
S. No.	Cable Size in mm <sup>2</sup> Min.	Dimensions (mm)					No. of Shear Head Type Bolts	Head Size (mm) (AF)
		E	L1	B	C	A		
1	25-95	13	62.5	32	24	12.8	1	13
		17	62.5	32	24	12.8	1	17
2	35-150	13	86	36	28	15.8	1	13
		17	86	36	28	15.8	1	17
3	95-240	13	111.5	65	33	20	2	19
		17	111.5	65	33	20	2	19
4	120-300	13	115.5	70	37	24	2	22
		17	115.5	70	37	24	2	22
5	185-400	13	137	85	42	25.5	3	22
		17	137	85	42	25.5	3	22
6	500-630	21	137	85	42	25.5	3	22
		13	153	110	50	33	3	27
		17	153	110	50	33	3	27
7	800	21	185	130	56	36	4	27
		21	185	130	56	36	4	27

\* General Tolerance: ±5%

### Features :

- Chamfered suitable for upto 42 kV
- Long Shank
- Extra Long for moisture barrier
- Suitable for Indoor and Outdoor Applications
- Made of Special Aluminium Alloy

## YAMUNA DENSONS Shear Head Type Mechanical Connectors



### Dimensions of Shear Head Type Connectors

S. No.	Cable Size in mm <sup>2</sup>	Dimensions (mm)				No. of Shear Head Type Bolts	Head Size (mm) (AF)
		L1	L2	D1	D2		
1	10-35	45	20	19	8.5	2	10
2	25-95 B	65	30	24	12.8	2	13
	25-95	65	-	24	12.8	2	13
3	35-150 B	80	38	28	15.8	2	17
	35-150	80	-	28	15.8	2	17
4	95-240 B	125	60	33	20	4	19
	95-240	125	-	33	20	4	19
5	120-300 B	140	68	37	24	4	22
	120-300	140	-	37	24	4	22
6	185-400 B	170	83	42	25.5	6	22
	185-400	170	-	42	25.5	6	22
7	500 B	160	75	46	29.6	6	13
8	630 B	160	75	50	33	6	13
9	800 B	220	105	56	36	6	27

\* General Tolerance: ±5%

### Features :

- Chamfered suitable for upto 42 kV
- Long Shank
- Extra Long for moisture barrier
- Made of Special Aluminium Alloy